

FAIRLEADS – UNIVERSAL ROLLERS

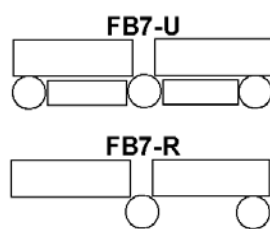
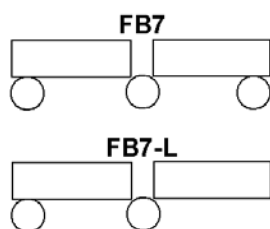
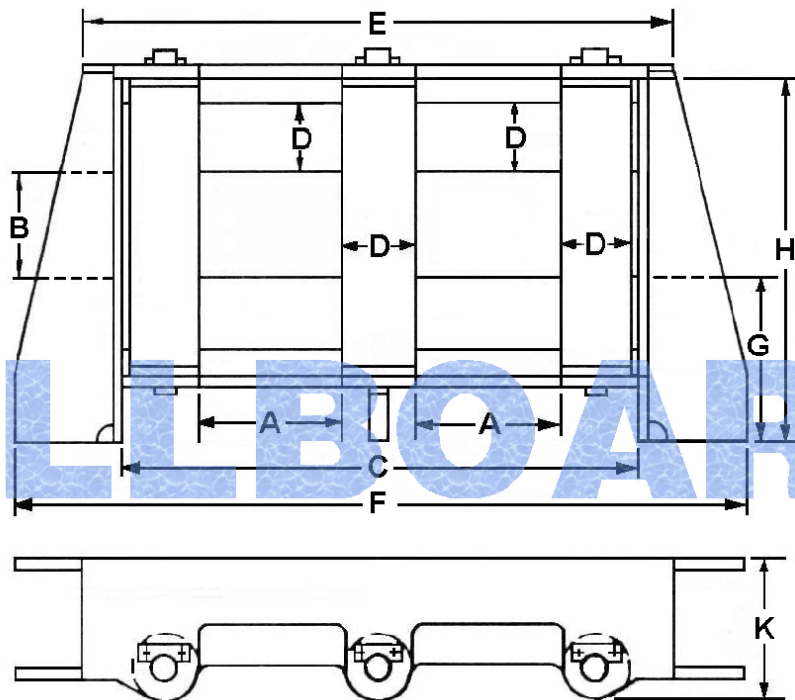
UNIVERSAL FAIRLEAD ROLLER – TYPE FB7 (7 ROLLERS)

Product Code: AE-3407

Type	Rope Dia. (mm)	Dimensions (mm)									Mass (kgs)
		A	B	C	D	E	F	G	H	K	
FB7 – 12	12	180	100	620	80	710	914	160	370	170	185
FB7 – 16	16	230	130	778	100	878	1120	200	480	210	245
FB7 – 20	20	250	130	878	120	1086	1272	250	520	250	370
FB7 – 24	24	280	160	996	140	1236	1420	260	590	288	505
FB7 – 32	32	300	200	1190	180	1410	1678	340	752	366	940
FB7 – 40	40	400	250	1548	245	1760	2126	450	970	500	1600
FB7 – 48	48	400	250	1720	300	1920	2400	470	1048	608	3600

- Remark: 1. Design : For 2 Ropes.
 2. Mounting : Free on deck, welding into bulwark.
 3. Bearing : High performance self-lubricating bearing.
 4. SWL, Load Position, Safety Factor and Test Load : Please refer to recommended table (page 1).

FB7 – 7 Rollers



* FB7-__-U (9 Rollers) 2 Horizontal Rollers in lower at outboard side.