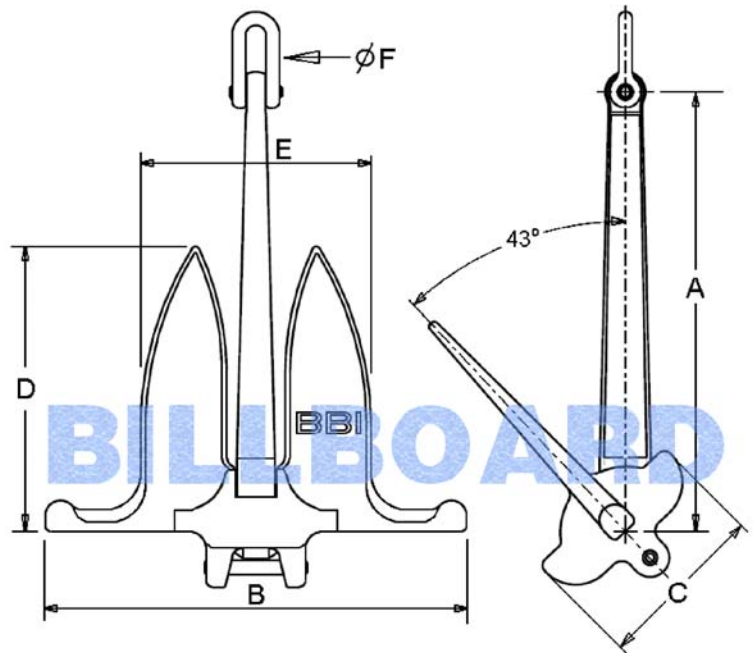


# ANCHOR DIMENSION

## BBI SNUG STOWING (H.H.P. ANCHOR)



Weight		Dimensions (Inch)					
(lbs)	(kgs)	A	B	C	D	E	F
2,000	900	66 1/2	64	26	43 1/4	34 7/8	2
3,000	1,360	76	73	29 5/8	49 1/2	39 3/4	2 1/2
4,000	1,800	83 3/4	80 1/2	32 3/4	54 1/2	43 7/8	2 1/2
5,000	2,260	90 3/8	86 3/4	35 1/4	58 3/4	47 1/4	3
6,000	2,720	96	92 1/8	37 1/2	62 1/2	50 1/4	3
7,000	3,170	101	97	39 1/2	65 3/4	52 7/8	3
8,000	3,630	105 3/4	101 1/2	41 1/4	68	55 3/8	3
9,000	4,080	110	105 1/2	43	71 1/2	57 1/2	3 1/2
10,000	4,540	113 3/4	109 1/4	44 1/2	74	59 1/2	3 1/2
11,000	5,000	117 1/2	112 7/8	45 3/4	76 1/2	61 1/2	4
12,000	5,440	120 3/4	116	47 1/8	78 5/8	63 1/4	4
13,000	5,900	124	119 1/8	48 3/8	80 3/4	64 7/8	4
14,000	6,350	127 1/4	122 1/4	49 5/8	82 3/4	66 5/8	4
15,000	6,800	130	125	50 3/4	84 5/8	68	4
16,000	7,250	133 1/4	128	52	86 3/4	69 3/4	4
17,000	7,710	136	130 1/2	53 1/8	88 1/2	71 1/8	4
18,000	8,160	138 1/4	133 1/8	54 1/8	90 1/4	72 1/2	4 1/2
19,000	8,600	141	135 1/2	55	91 7/8	73 7/8	4 1/2
20,000	9,070	143 1/4	137 5/8	56	93 1/2	75	4 1/2
24,300	11,020	152 1/2	146	59 3/4	99 1/2	80	4 1/2
25,000	11,340	154	148	60 1/4	100 1/2	80 3/4	4 1/2
30,000	13,600	164	157 1/2	64 7/8	106 3/4	86	5
40,000	18,140	180	173	70	117	94	5 1/2
50,000	22,680	195	187	76	126	102	6

Remark: Approximate Weight and Dimension for reference only.